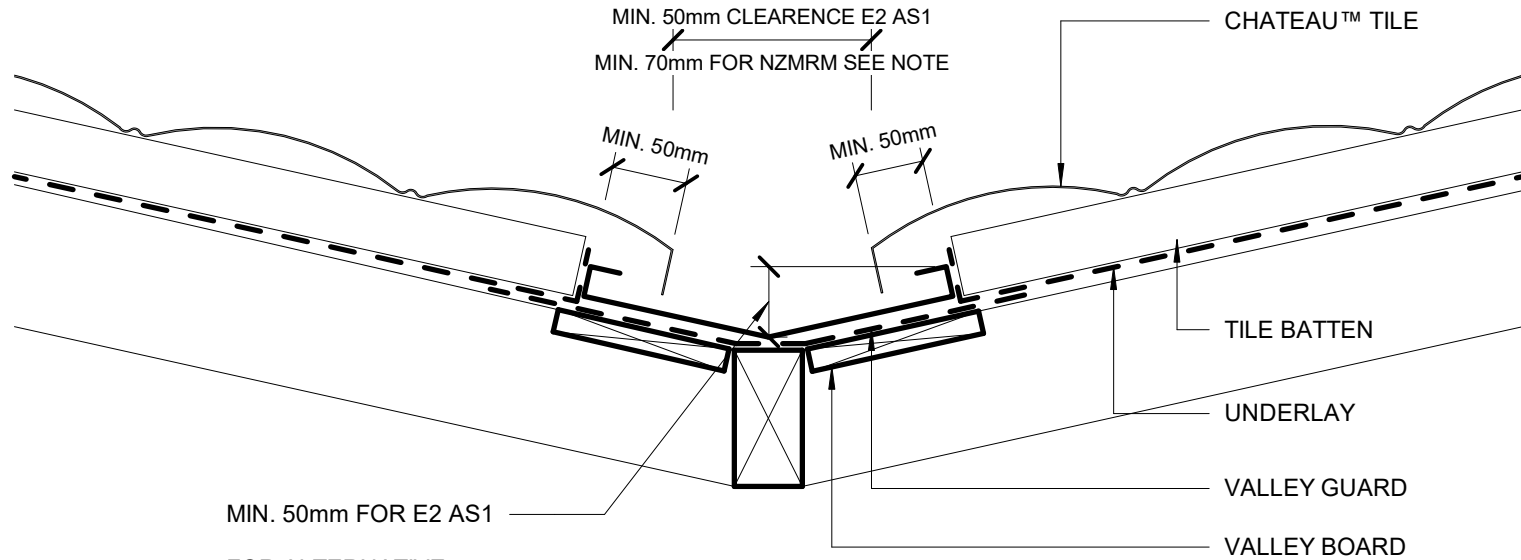
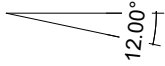


Chateau™

RESIDENTIAL ROOFING

<u>DETAIL LIST</u>	<u>Revision</u>	<u>Date</u>
00 / 13		
01 / 13		
02 / 13		
03 / 13		
04 / 13		
05 / 13		
06 / 13		
07 / 13		
08 / 13		
09 / 13		
10 / 13		
11 / 13		
12 / 13		
13 / 13		
COVER SHEET		
VALLEY FLASHING	1.0	OCT 2023
ANGLE RIDGE	1.0	OCT 2023
FOLDED RIDGE	1.0	OCT 2023
ANGLE BARGE	1.0	OCT 2023
FOLDED BARGE	1.0	OCT 2023
ANGLE CAP BARGE	1.0	OCT 2023
FOLDED CAP BARGE	1.0	OCT 2023
TILE BATTEN LAYOUT 01	1.0	OCT 2023
TILE BATTEN LAYOUT 02	1.0	OCT 2023
CHIMNEY SIDE VIEW	1.0	OCT 2023
HEAD APRON	1.0	OCT 2023
SIDE FLASHING	1.0	OCT 2023
SECRET GUTTER	1.0	OCT 2023

*CHATEAU™
MIN. ROOF PITCH = 12°



MIN. 50mm FOR E2 AS1

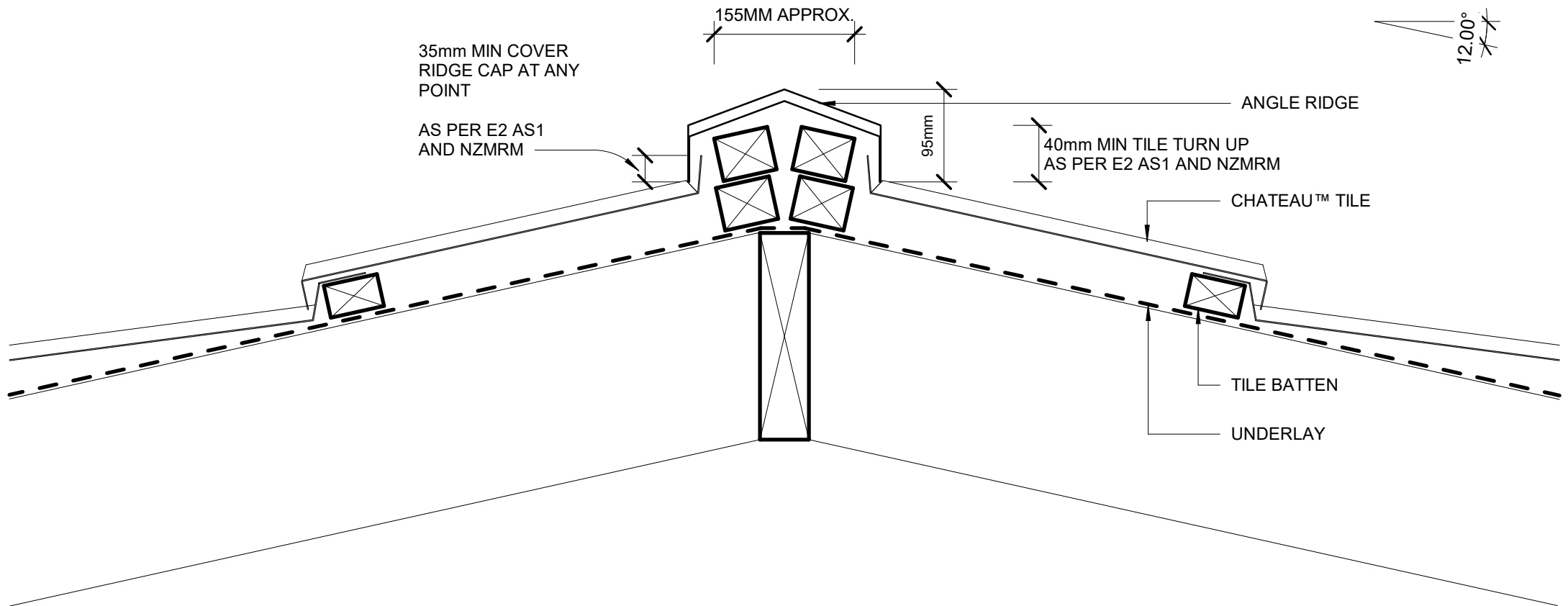
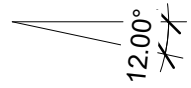
FOR ALTERNATIVE
VALLEY GUTTER DESIGN
REFER NZMRM CODE OF
PRACTICE

FOR VALLEY GUTTER DIMENSIONS AS PER
TABLE 8 OF E2 AS1.

OR FOR ALTERNATIVE VALLEY GUTTER
DESIGN REFER TO THE NZMRM CODE OF
PRACTICE.

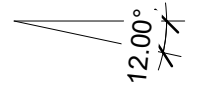
ROOF AND WALL UNDERLAYS. PLEASE REFER TO NZBC E2/AS1 AND
NZMRM CODE OF PRACTICE VERSION SEPTEMBER 2023.

*CHATEAU™
MIN. ROOF PITCH = 12°



ROOF AND WALL UNDERLAYS. PLEASE REFER TO NZBC E2/AS1 AND NZMRM CODE OF PRACTICE VERSION SEPTEMBER 2023.

*CHATEAU™
MIN. ROOF PITCH = 12°



35mm MIN COVER
RIDGE CAP AT ANY
POINT

AS PER E2 AS1
AND NZMRM

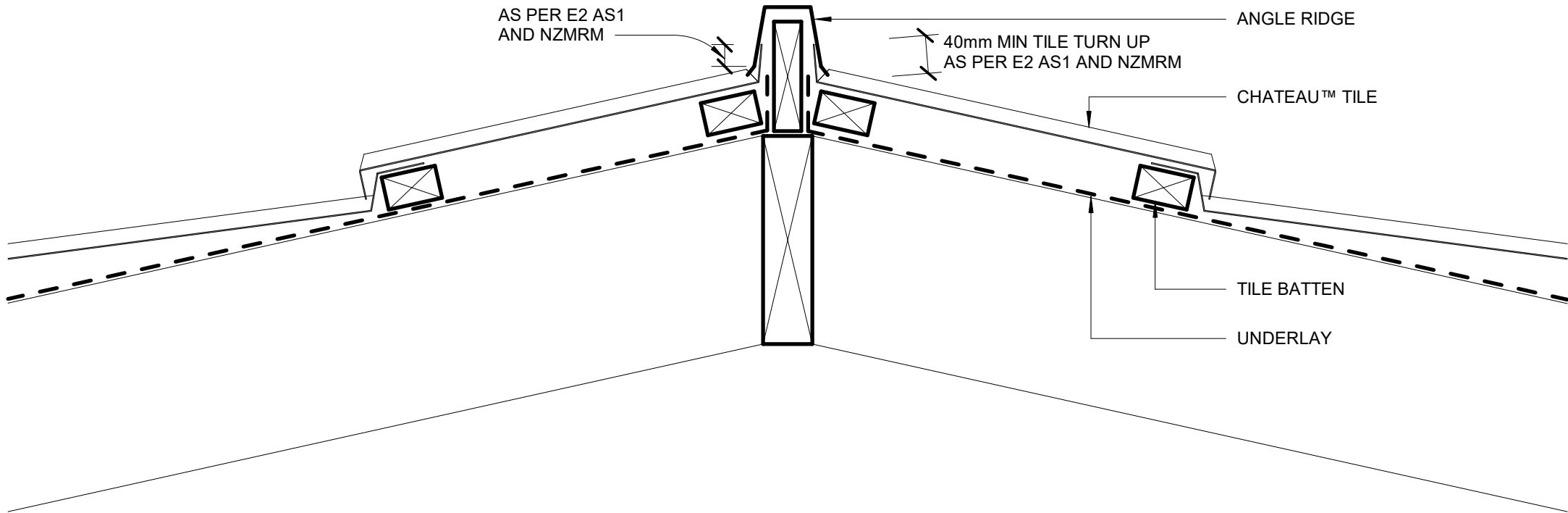
40mm MIN TILE TURN UP
AS PER E2 AS1 AND NZMRM

ANGLE RIDGE

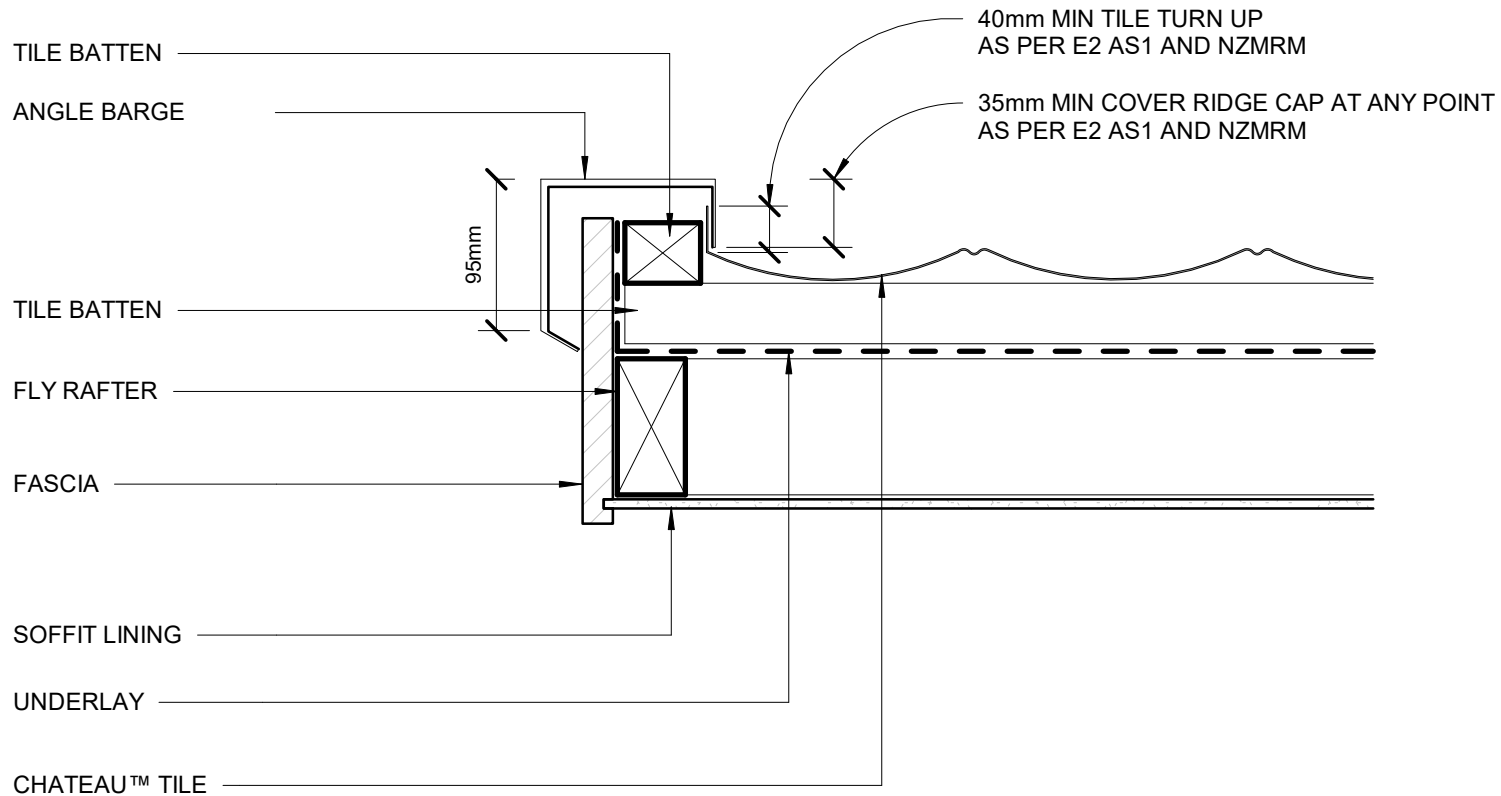
CHATEAU™ TILE

TILE BATTEN

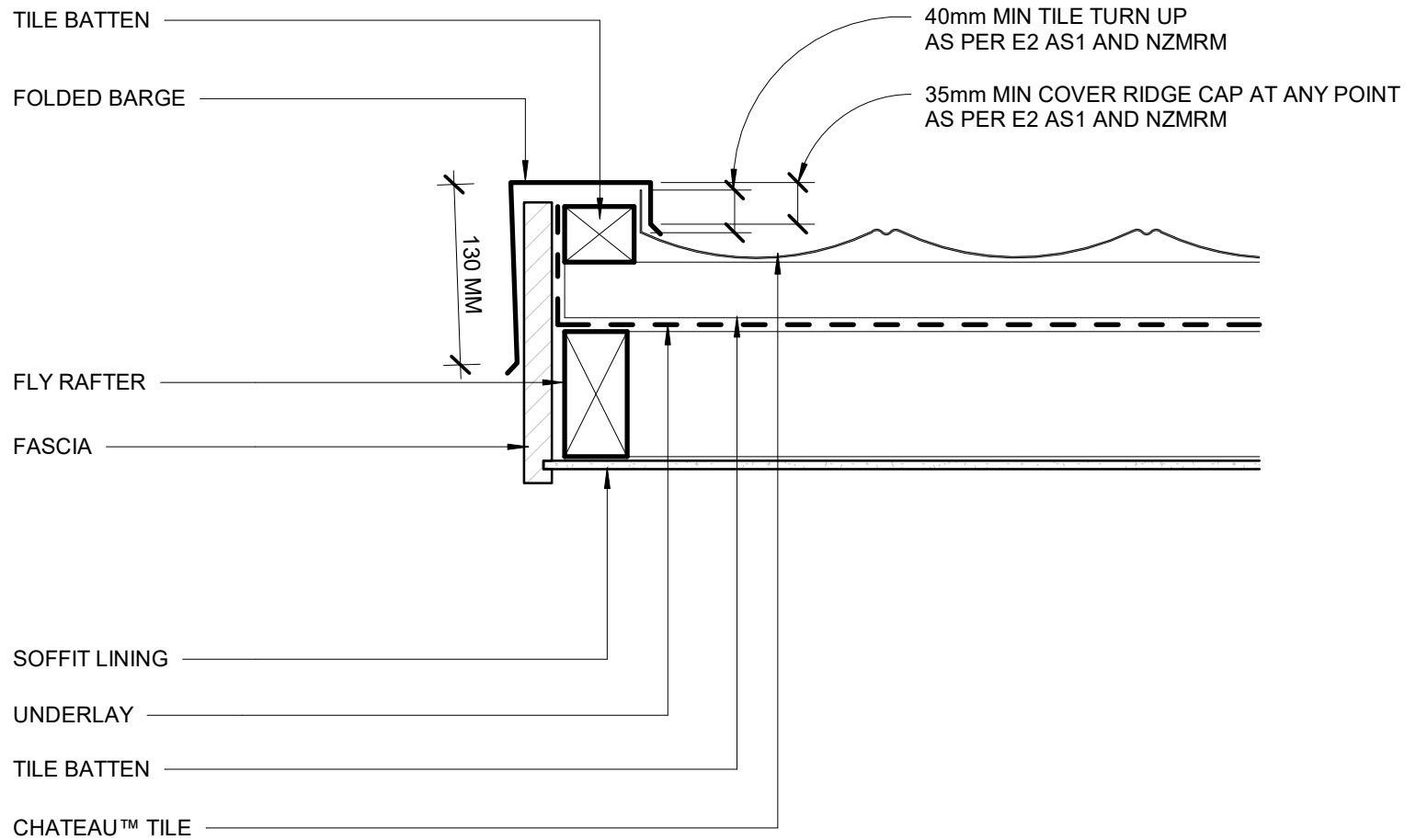
UNDERLAY



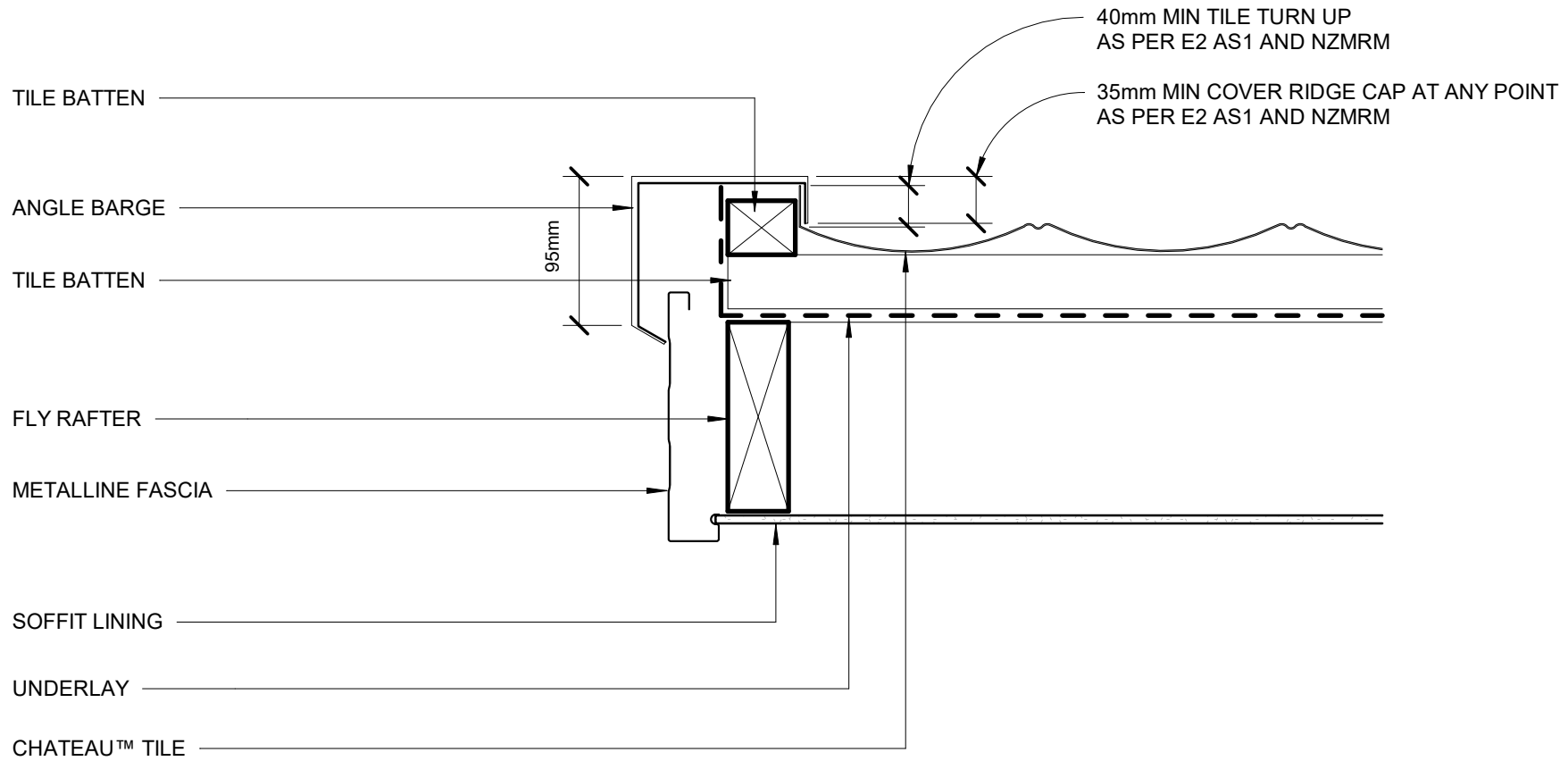
ROOF AND WALL UNDERLAYS. PLEASE REFER TO NZBC E2/AS1 AND NZMRM CODE OF PRACTICE VERSION SEPTEMBER 2023.



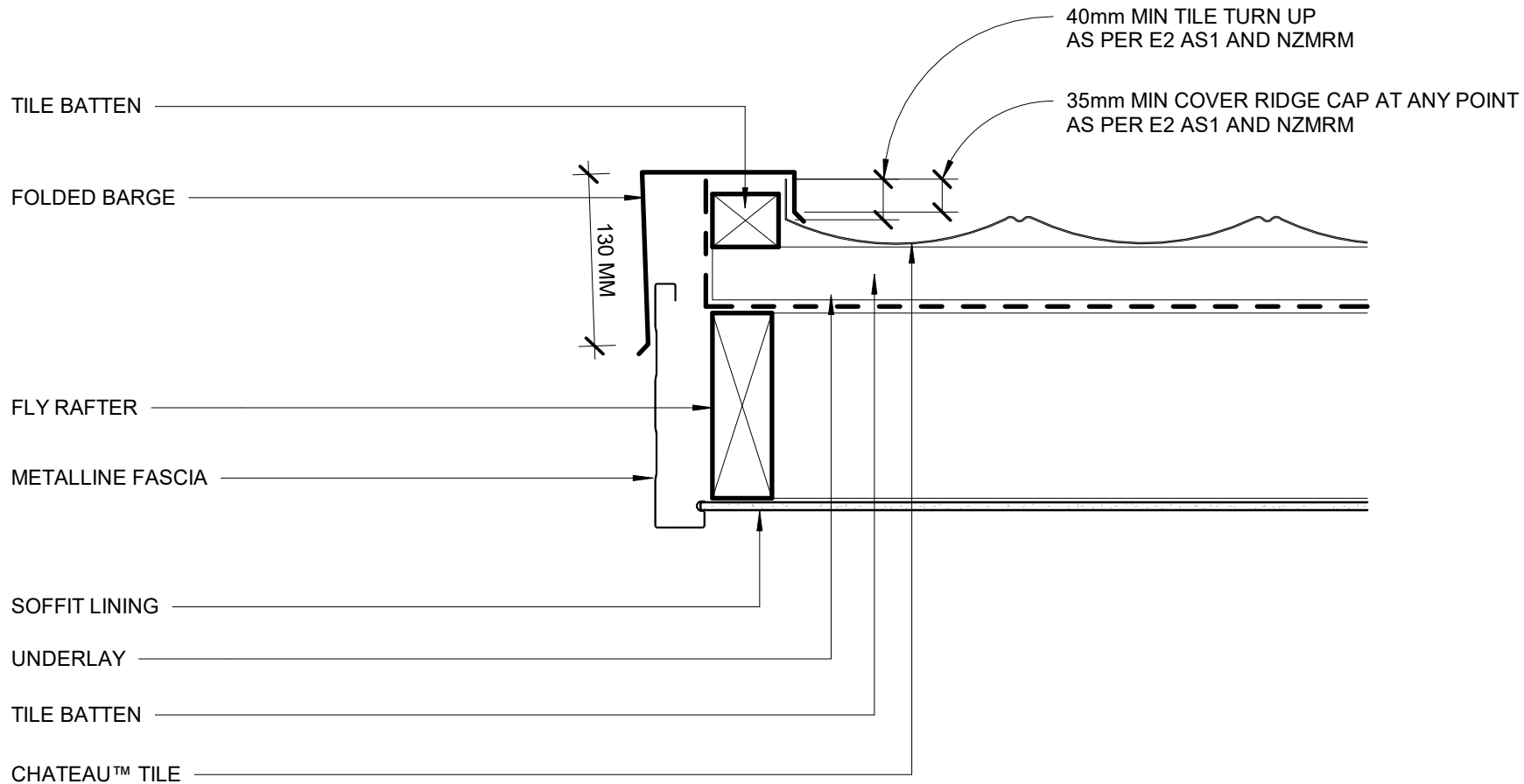
ROOF AND WALL UNDERLAYS. PLEASE REFER TO NZBC E2/AS1 AND NZMRM CODE OF PRACTICE VERSION SEPTEMBER 2023.



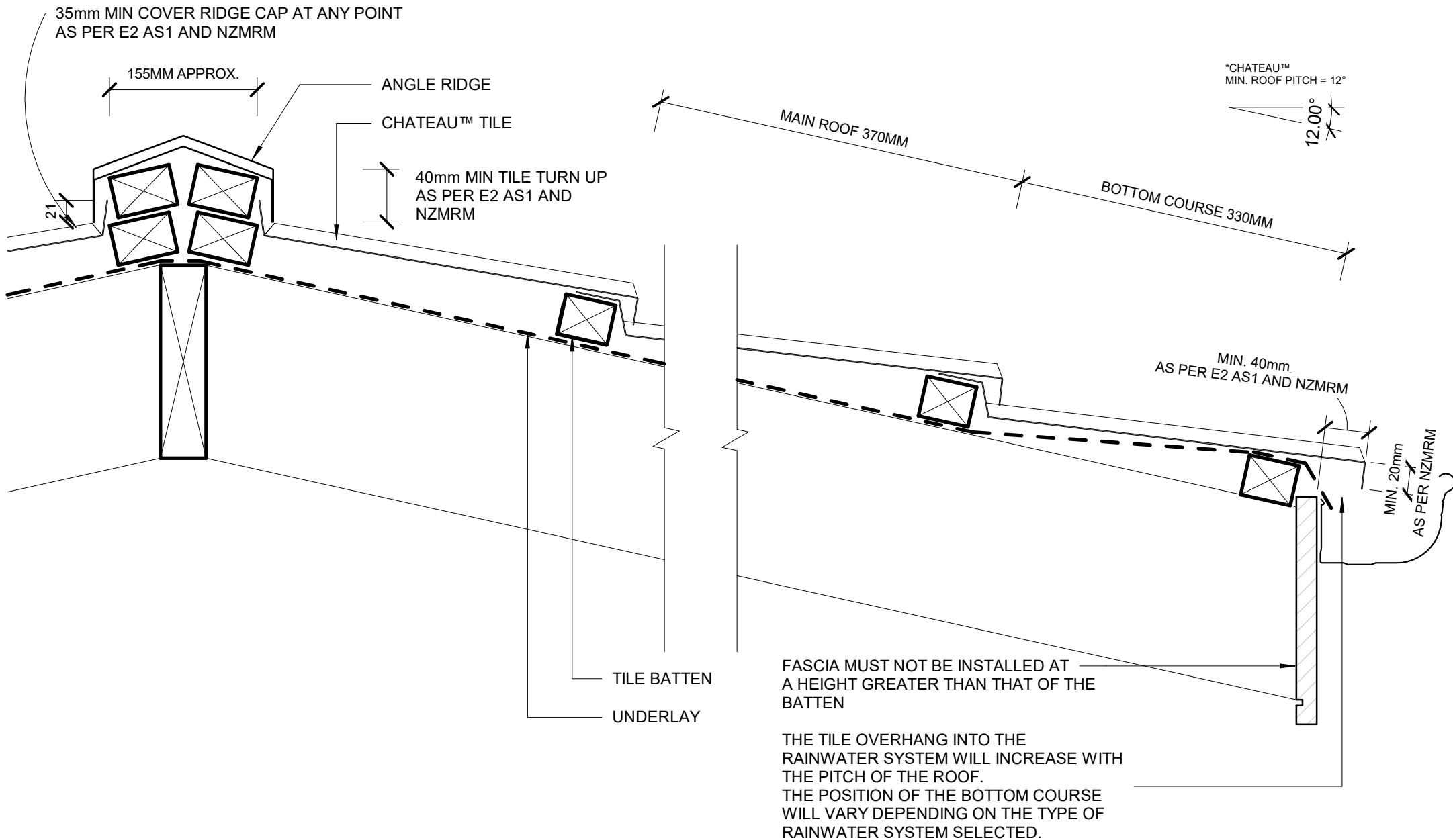
ROOF AND WALL UNDERLAYS. PLEASE REFER TO NZBC E2/AS1 AND NZMRM CODE OF PRACTICE VERSION SEPTEMBER 2023.



ROOF AND WALL UNDERLAYS. PLEASE REFER TO NZBC E2/AS1 AND NZMRM CODE OF PRACTICE VERSION SEPTEMBER 2023.

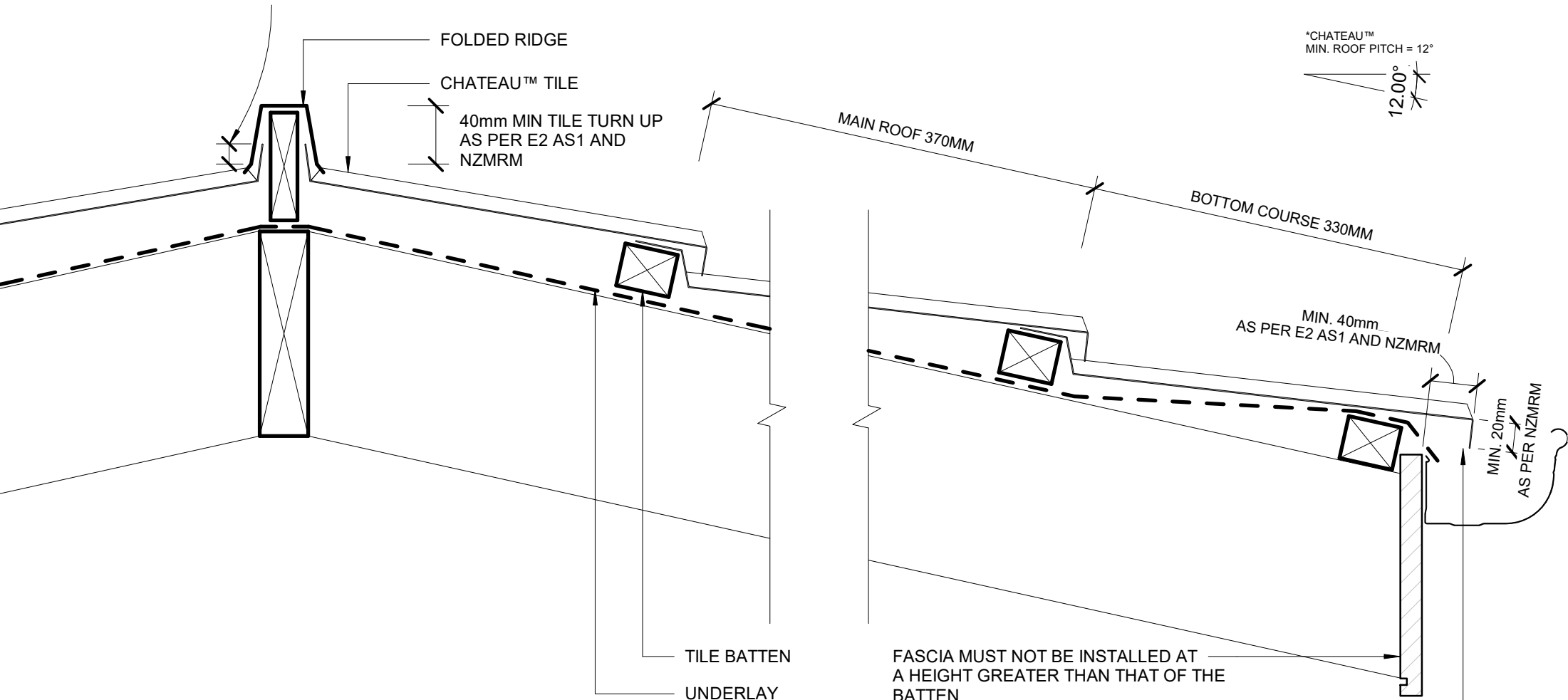


ROOF AND WALL UNDERLAYS. PLEASE REFER TO NZBC E2/AS1 AND NZMRM CODE OF PRACTICE VERSION SEPTEMBER 2023.



ROOF AND WALL UNDERLAYS. PLEASE REFER TO NZBC E2/AS1 AND NZMRM CODE OF PRACTICE VERSION SEPTEMBER 2023.

35mm MIN COVER RIDGE CAP AT ANY POINT
AS PER E2 AS1 AND NZMRM



FASCIA MUST NOT BE INSTALLED AT A HEIGHT GREATER THAN THAT OF THE BATTEN

THE TILE OVERHANG INTO THE RAINWATER SYSTEM WILL INCREASE WITH THE PITCH OF THE ROOF. THE POSITION OF THE BOTTOM COURSE WILL VARY DEPENDING ON THE TYPE OF RAINWATER SYSTEM SELECTED.

ROOF AND WALL UNDERLAYS. PLEASE REFER TO NZBC E2/AS1 AND NZMRM CODE OF PRACTICE VERSION SEPTEMBER 2023.

Metalcraft
Roofing
www.metalcraftgroup.co.nz

DISCLAIMER:
All details are to be used for indicative purposes only and the designer should consult both the NZMRM code of practice version September 2023, E2 and all other relevant building codes. Details of the supporting mechanisms are indicative only. Compliance of the supporting mechanisms is the responsibility of the designer. Construction detail can vary for wall cladding. The underlay is detailed as a single line for simplicity and is indicative only. Building paper type and method of installation should comply with underlay manufacturers recommendations and NZBC regulations.

TILE BATTEN LAYOUT 02
RESIDENTIAL ROOFING

Chateau

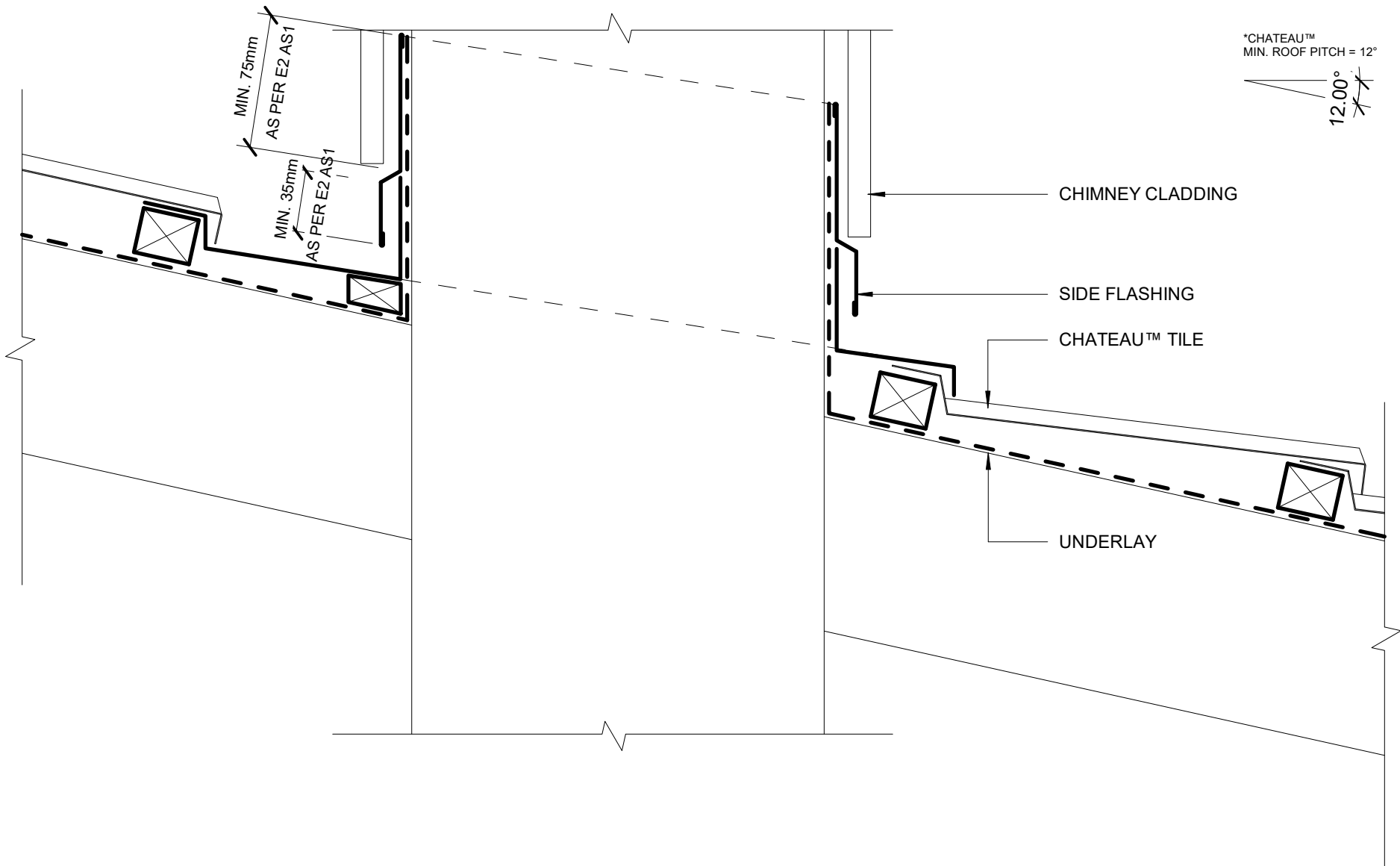
Rev. 1.0

Date OCT 2023

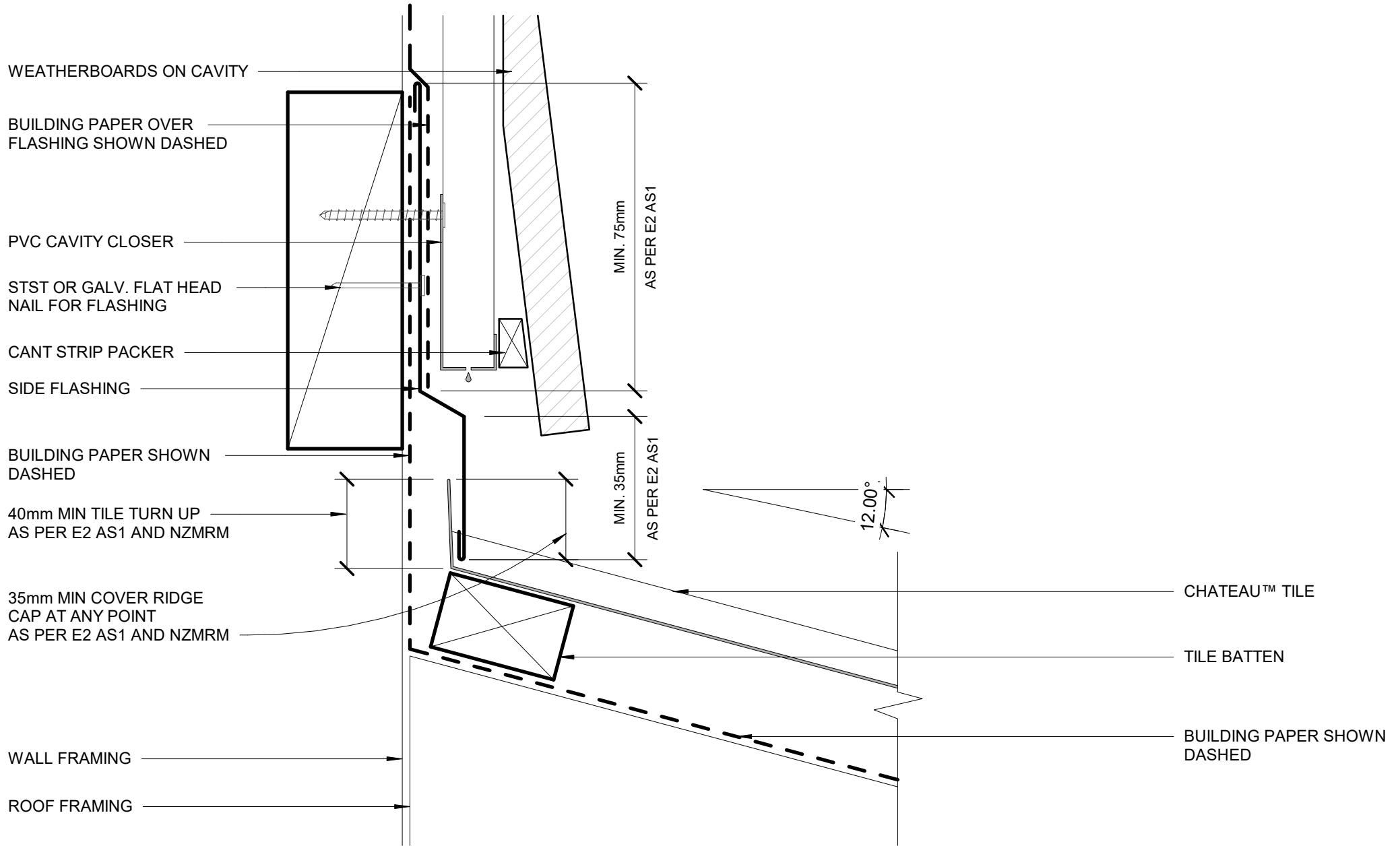
Scale 1 : 5

Sheet

09 / 13



ROOF AND WALL UNDERLAYS. PLEASE REFER TO NZBC E2/AS1 AND NZMRM CODE OF PRACTICE VERSION SEPTEMBER 2023.



WEATHERBOARDS ON CAVITY

BUILDING PAPER OVER FLASHING SHOWN DASHED

PVC CAVITY CLOSER

STST OR GALV. FLAT HEAD NAIL FOR FLASHING

CANT STRIP PACKER

SIDE FLASHING

BUILDING PAPER SHOWN DASHED

40mm MIN TILE TURN UP AS PER E2 AS1 AND NZMRM

35mm MIN COVER RIDGE CAP AT ANY POINT AS PER E2 AS1 AND NZMRM

WALL FRAMING

ROOF FRAMING

MIN. 75mm AS PER E2 AS1

MIN. 35mm AS PER E2 AS1

12.00°

CHATEAU™ TILE

TILE BATTEN

BUILDING PAPER SHOWN DASHED

ROOF AND WALL UNDERLAYS. PLEASE REFER TO NZBC E2/AS1 AND NZMRM CODE OF PRACTICE VERSION SEPTEMBER 2023.

Metalcraft
Roofing
www.metalcraftgroup.co.nz

DISCLAIMER:
All details are to be used for indicative purposes only and the designer should consult both the NZMRM code of practice version September 2023, E2 and all other relevant building codes
Details of the supporting mechanisms are indicative only. Compliance of the supporting mechanisms is the responsibility of the designer. Construction detail can vary for wall cladding. The underlay is detailed as a single line for simplicity and is indicative only. Building paper type and method of installation should comply with underlay manufacturers recommendations and NZBC regulations.

Chateau

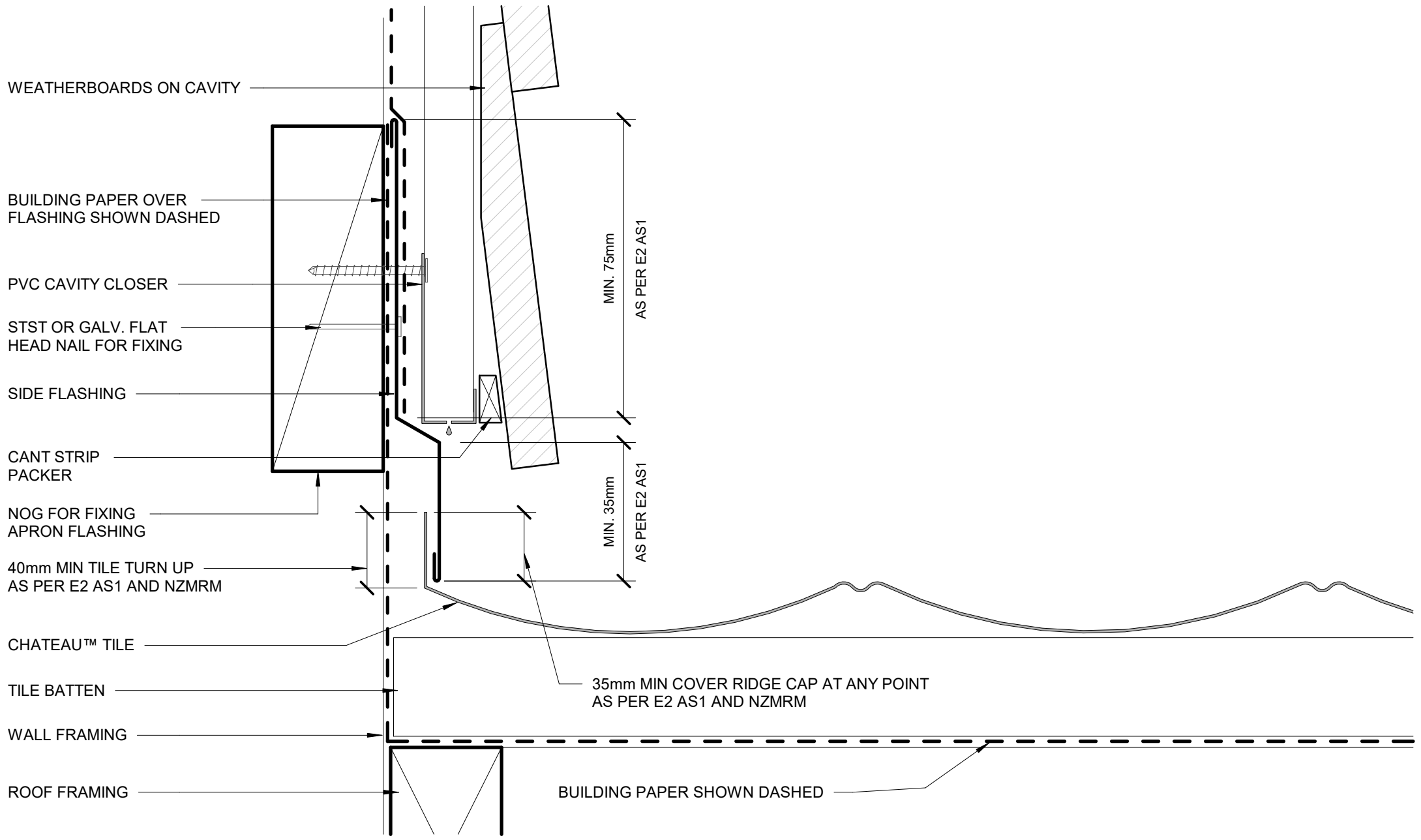
Rev. 1.0

Date OCT 2023

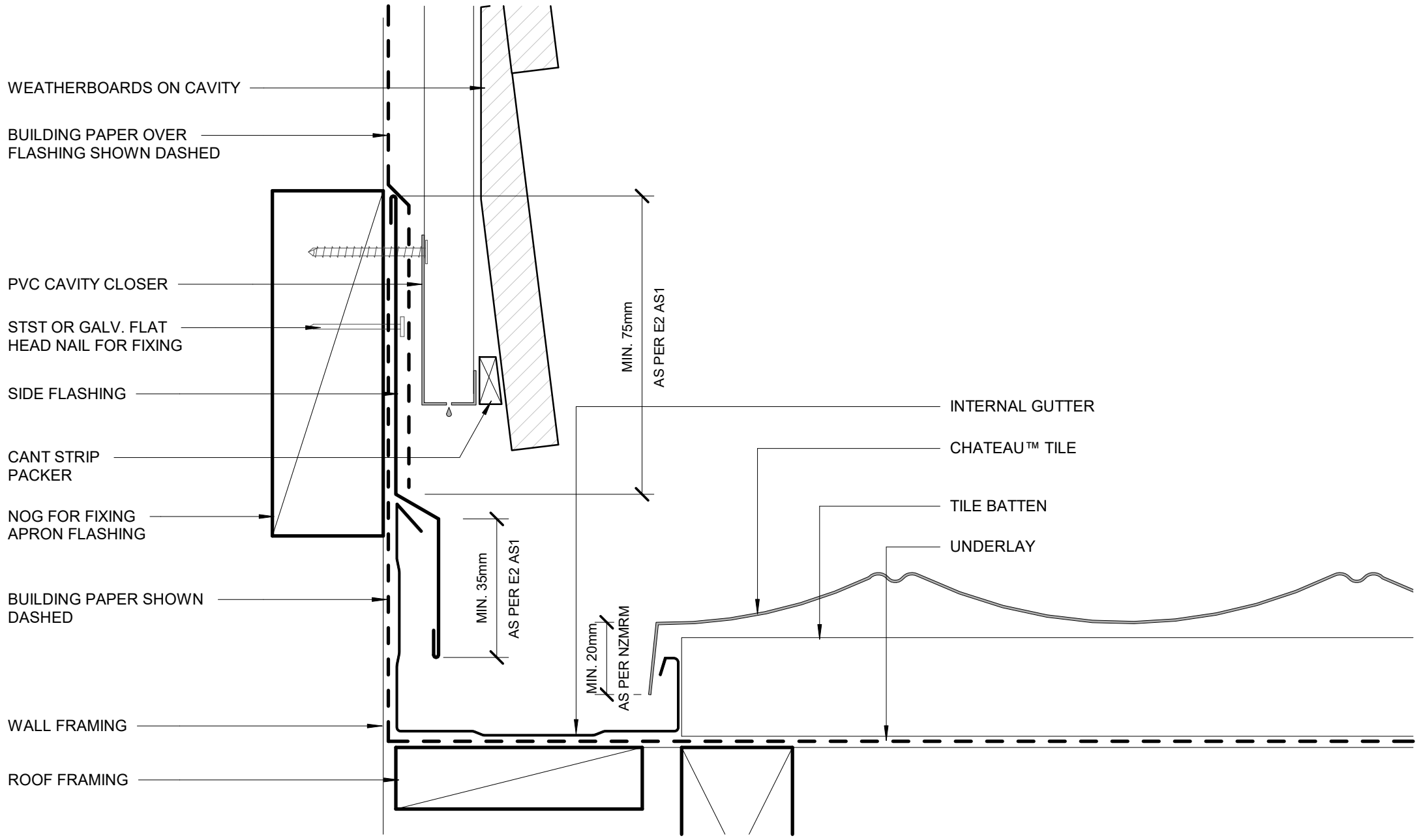
Scale 1 : 2

HEAD APRON
RESIDENTIAL ROOFING

Sheet **11 / 13**



ROOF AND WALL UNDERLAYS. PLEASE REFER TO NZBC E2/AS1 AND NZMRM CODE OF PRACTICE VERSION SEPTEMBER 2023.



ROOF AND WALL UNDERLAYS. PLEASE REFER TO NZBC E2/AS1 AND NZMRM CODE OF PRACTICE VERSION SEPTEMBER 2023.